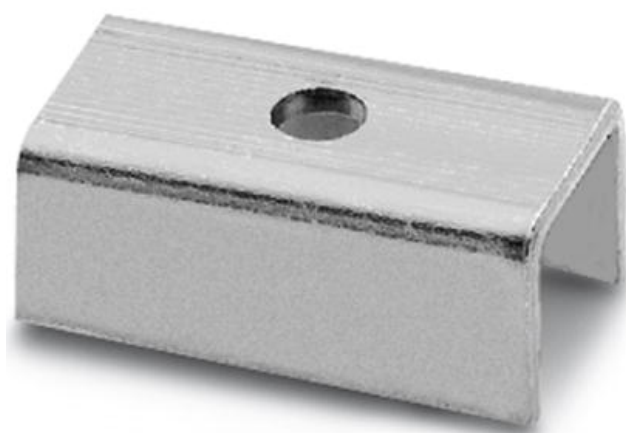


Please note that the data given here has been taken from the online catalog. For comprehensive information and data, please refer to the user documentation at <http://www.download.phoenixcontact.com>. The General Terms and Conditions of Use apply to Internet downloads.

## ► Extract from the online catalog

Flat bracket, for fixing mounting rails 15 mm above the mounting surface, the fixing hole has a diameter of 6.5 mm



Order No.	1201112
Ord designation	BG/F 1
EAN	4017918017231
Pack	10 Pcs.
Customs tariff	85369010
Weight/Piece	0.0246 KG
Catalog page information	Page 512 (CL-2007)

## ► Product notes

WEEE/RoHS-compliant since: 01/15/2005



**IMPORTANT :** This date is valid for Customers in Germany only. Date Format is MM/DD/YYYY. Please contact your local in-country Phoenix Contact location or designated business partner for a Logistics Compliant date in your area. In order to guarantee delivery of RoHS-Compliant product, please purchase Phoenix Contact parts from authorized Phoenix Contact representatives and distributors.

BG/F 1



---

▶ **Technical data**

---

---

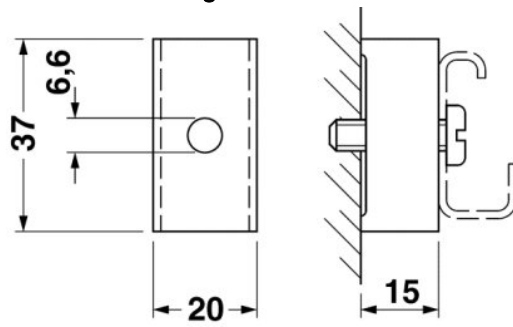
**General data**

Height	15 mm
Length	37 mm
Width	20 mm
Material	Steel
Color	silver

---

## ► Drawings

### Dimensioned drawing



---

## ► Address

---

PHOENIX CONTACT GmbH & Co. KG  
Flachsmarktstr. 8  
32825 Blomberg  
Germany  
Phone +49 5235 3 00  
Fax +49 5235 3 41200  
<http://www.phoenixcontact.de>  
Phoenix Contact  
Technical modifications reserved;